

EXTERNAL P.I.R.

MS-100E (Power: 12-30V DC)



TAKEX[®]

Sensor Switch for outdoor / indoor use. Variable multi-area system enables selection of 4 detection patterns.

MS-100E is a passive infrared sensor which is designed to detect far-infrared rays.

Features

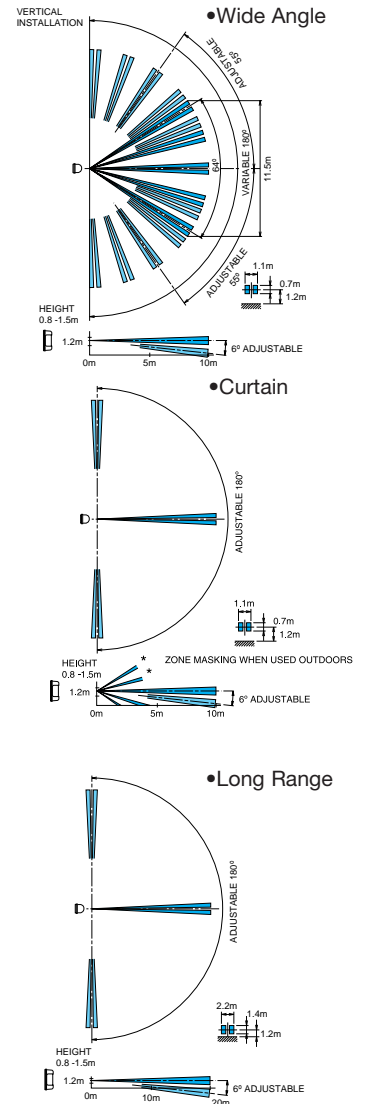
- **MULTI PATTERN ADJUSTMENT**
Supplied lenses allow unit to be used as vertical curtain, horizontal curtain, wide angle or spot detector.
- **ROTATABLE OPTICS**
Internal sensor rotates by 180 degrees.
- **DAY/NIGHT SENSOR**
Photocell for automatic control.
- **NO / NC CONTACTS**
Ideal for activating lights, cameras, speech units etc. Range variable up to 20m.



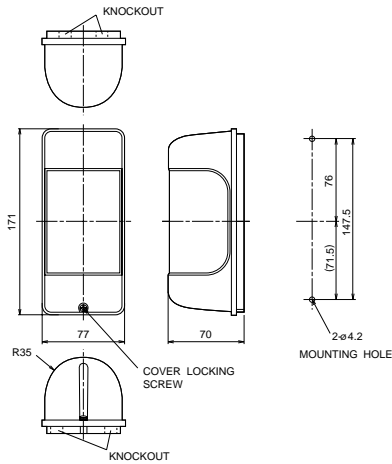
Specifications

Model	Sensor Switch
Model Number	MS-100E
Detection System	Passive infrared
Detection Area	Vertical Installation: <ul style="list-style-type: none"> • Wide Angle (Max. 33' (10m)) (5 pairs) • Curtain (Max. 33' (10m)) (5 pairs) • Long Range (Max. 66' (20m)) (1 pair)
	Horizontal Installation: <ul style="list-style-type: none"> • Vertical Curtain (Max. 10' (3m)) (5 pairs)
Supply Voltage	10.5V to 30V DC (non-polarity)
Power Consumption	30mA or less
Detection Output	Dry contact relay output Form N.C./N.O. changeover
Signal	<ul style="list-style-type: none"> • Contact capacity: 30V (AC/DC), 0.5A Max. (Resistance load) • Contact operation: Detection time +off delay (Approx. 2 sec.~ approx. 5 min.)
Tamper Signal	Dry contact relay output N.C.
	<ul style="list-style-type: none"> • Contact capacity: 30V (AC/DC), 2A Max. (Resistance load)
Adjustment Volumes	Day light: Approx. 10 lux ~ ∞ (Regardless illuminance)
	PIR sensitivity: Approx. 30% (L) ~ Approx. 170% (H) (100% set at factory)
Contact Changeover	Form N.C / N.O changeover (by switch)
Ambient Temperature	-20°C to +50°C (-4°F to 122°F)
Installation Places	Vertical Installation: Indoor / Outdoor (pole / wall) (Height 0.8 ~ 1.5m)
	Horizontal Installation: Indoor/semi-outdoor (wall/ceiling) (Height 3.0m Max.)
Operation LED	Light at the detection time +off delay
Connection	Terminals
Weight	220g (7.7 oz)
External Appearance	Cover: PE resin (white), Body: AES resin (white)
	Ceiling / wall mount attachment (BCW-401), Wall mount fittings (BW-14)
Optional	Due to ongoing product improvements, specifications may change without notice.

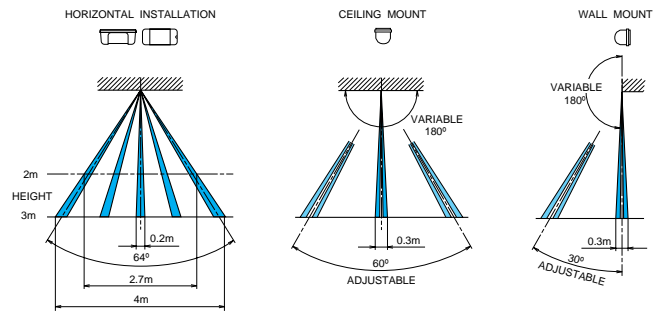
Coverage (m/feet)



Physical Dimensions (mm/inch)



•Curtain



Wiring



Note: This sensor is designed to detect passing objects and to initiate a signal. It is not a burglar-preventing device. TAKEX is not responsible for damages or losses caused by accidents, thefts, Acts of God (including inductive lightning), abuses, misuses, abnormal usages, faulty installation or improper maintenance.



TAKEX Europe Ltd.
 Aviary Court, Wade Road
 Basingstoke, Hants RG24 8PE, U.K.
 Tel: 44 (1256) 475555
 Fax: 44 (1256) 466268
 Email: sales@takexeurope.com
 Website: www.takexeurope.com

MS-100E DS-12 03
 (CRI-160)